

# KOALA KARE PRODUCTS

## Installation and Operation Instructions

### KB200 Baby Changing Station Cambiador Plegable Table à Langer Babywickeltisch



Your unit can be installed to meet ADA regulations when and where applicable. Refer to Federal Register, Volume 56, No 144 28 CFR Part 36.

You are responsible for the safe operation of this unit.

IMPORTANT. RETAIN FOR FUTURE REFERENCE. READ CAREFULLY.  
IMPORTANTE. GUÁRDELO PARA FUTURAS CONSULTAS. LEER ATENTAMENTE.  
IMPORTANT. À CONSERVER POUR INFORMATION. À LIRE ATTENTIVEMENT.  
WICHTIG. ZUR SPÄTEREN BEZUGNAHME AUFBEWAHREN. BITTE SORGFÄLTIG DURCHLESEN.



# OPERATING INSTRUCTIONS

**Please Note:**

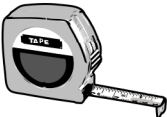
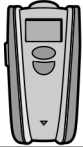

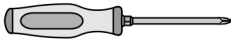
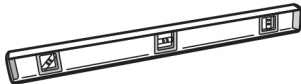





To assure proper installation, it is suggested that a qualified person or carpenter install the Koala Baby Changing Station. Koala Kare Products will not be responsible if the station is not installed properly. Koala Baby Changing Stations have been tested to hold a substantial static load. The unit must be attached to a permanent wall that is capable of holding a substantial load. The maximum recommended total weight for this baby changing station (including baby and parcel bag) is 60 lbs. Excessive weight may cause a hazardous or unstable condition to exist.

**Restraint System:** To fasten the waist restraint strap, place strap around child’s midsection, and push spring tabs into buckle until both spring tabs lock in place with an audible “click”. Straps can be adjusted to make strap tighter or looser as required.



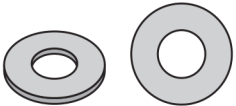
**Inspection Criteria:**

A properly maintained baby changing station:

- Opens and closes smoothly
- Has both ends of a functioning, non-frayed strap: buckle clicks when closed and strap is attached to unit at both ends.
- Offers parents liners through a fully stocked liner dispenser. (Dispenser built into unit.)
- Provides a clean, convenient place for customers to attend to their children.

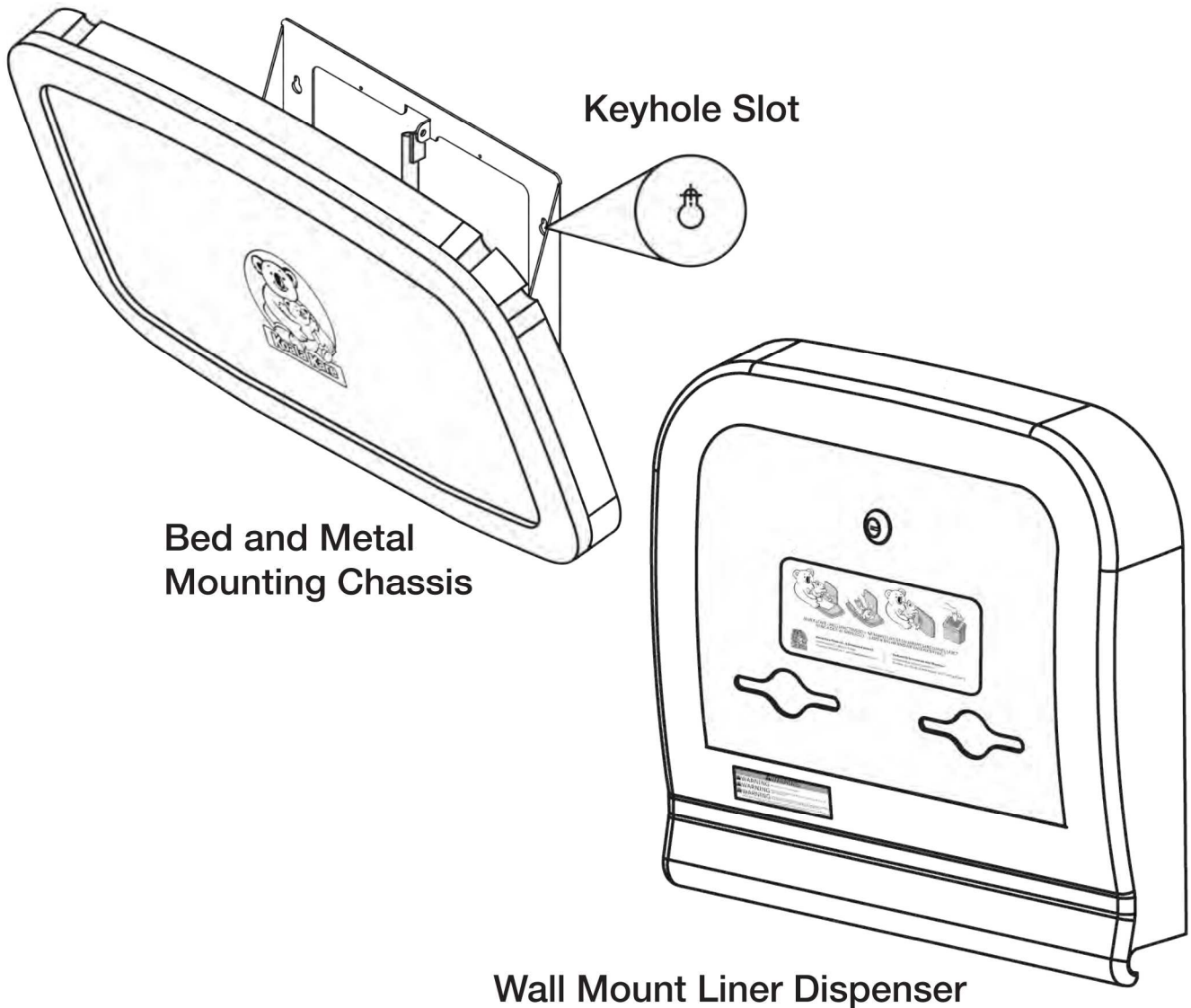
|   |   |  |   |  |
|---|---|--|---|--|
| Measuring Tape<br> | <b>TOOLS NEEDED</b>   |  |   | Stud Finder<br> |
| Gloves<br>         | Phillips Head Screwdriver<br>            | Level<br>                                  | Pencil<br>                               |  |
| Drill<br>          | 1/8” Drill Bit (regular and masonry)<br> | 7/32” Drill Bit (regular and masonry)<br> | 1/2” Drill Bit (regular and masonry)<br> |  |

## HARDWARE PROVIDED

|  |   |   |
|--|---|---|
| Six 1/4”x 3” Phillips Panhead Wood Screws<br> | Four 8-32” x 5/16” Flange Button-Phillips Head Screws<br> | Four 1/4” Flat Washers<br> |
|--|---|---|

# INSTALLATION INSTRUCTIONS

## Horizontal Baby Changing Station Surface Mounted Model Number KB200



### Step 1. Inspect Contents

Remove changing station from the shipping container and check for any freight damage. If damage is found, please call Koala Kare Products' Customer Service at 888.733.3456. Remove "Installation Kit" and "Operator Kit" from box. Please give "Operator Kit" to facility manager or operator. Box should contain two pieces: the bed and metal mounting chassis and the wall mount liner dispenser. Identify the best location for installing the unit.

# INSTALLATION INSTRUCTIONS

## Step 2. Prepare Mounting Surface

### For Standard Installation

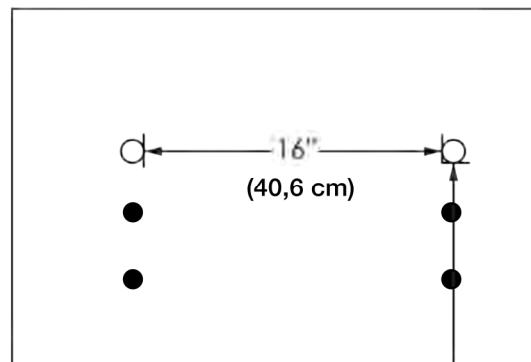
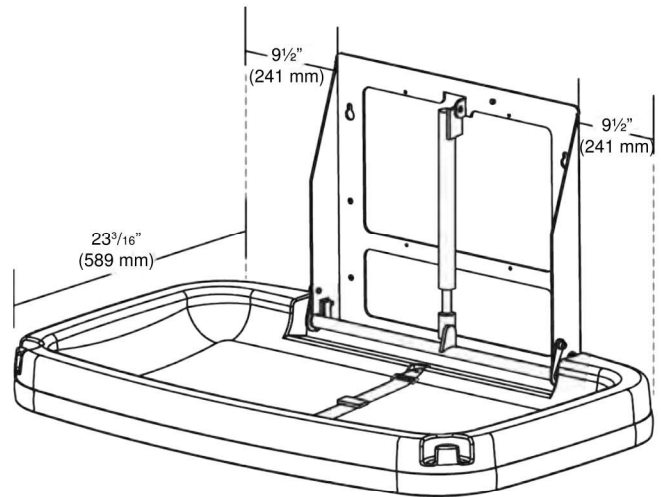
Remove the bed and chassis from the box and select the wall area where the unit will be installed. Make sure you have taken into consideration the operating clearance of 9½" (241 mm) on both sides of the exposed chassis and 23<sup>3</sup>/<sub>16</sub>" (589 mm) from wall surface when open. Measure from the floor 42¼" (1073 mm) on stud center and mark the wall. The mounting holes are designed for 16" stud centers. Ensure the locations you have marked for the mounting holes are level before drilling. Drill pilot holes for keyhole mounting using a 1/8" regular drill bit.

### For Masonry or Tile over Stud Wall

Use a 7/32" (5 mm) masonry drill bit for the pilot hole until you hit the stud. Change bit to 1/8" (3 mm) regular drill bit.

### For Metal Stud or Concrete Block

If the wall has metal studs or an underlying surface of concrete block, you will need to use toggles. Additionally, if the wall has wooden studs that are not on 16" (406 mm) centers, you will need to use toggles to secure one side of the unit. The other side should be secured to the stud using the screws provided. You must allow for space inside the wall for the toggles to turn. This will vary depending on the toggles used.



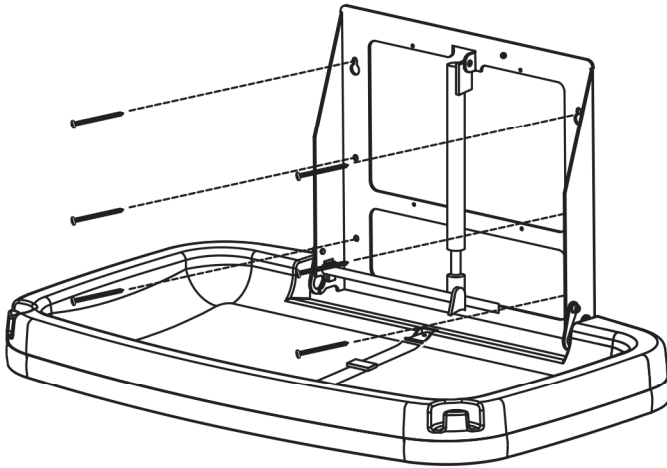
**Important:**  
In Step 3, all SIX screws provided must be mounted to the chassis to ensure proper load bearing capacity!

Top two screws at 42¼" (107 cm) to meet ADA Height Requirements

Floor

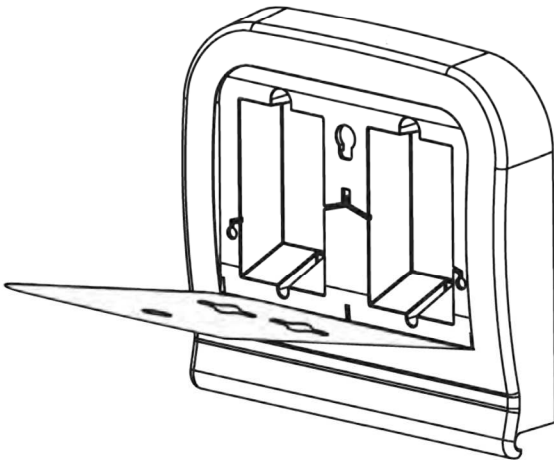
# INSTALLATION INSTRUCTIONS

## Step 3. Mount Bed and Chassis



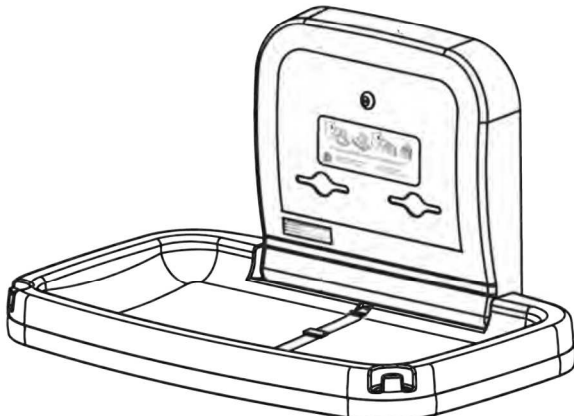
Screw two of the mounting screws into the pilot holes leaving  $\frac{1}{4}$ " (6.35 mm) exposed to allow keyhole slots to be easily mounted over the screw heads. Place chassis over screws as shown in illustration. After securing the unit using the keyhole slots, verify that the unit is level. Tighten top two screws so that they are flush with the wall. Use the four lower holes as a guide to mark and drill pilot holes. Use remaining four screws and four washers to complete installation of bed and mounting bracket. Insert washers over lower four screws. All SIX screws and four washers must be properly mounted to the chassis.

## Step 4. Install Liner Dispenser



Ensure liner dispenser is free from damage. Remove key, unlock, and open liner dispenser lid. This will expose liner dispenser mounting holes. Line up dispenser mounting holes onto chassis and secure with the four screws provided. Close and lock the liner dispenser door.


## Step 5. Complete Installation




Clean work area and inspect unit to ensure it opens and closes smoothly. Give Operator Kit and key to the facility operator. Replacement parts and additional liners can be purchased from your local distributor or by calling Koala at 888.733.3456 or 303.539.8300.

## ASTM F 2285-04


 **WARNING:** Never leave child unattended.


 **WARNING:** Avoid serious injury from falling or sliding out. Always use restraint system.

 **WARNING:** Designed for Infants Only. Age up to 3.5 years and weighing less than 50 lbs. Keep one hand on the child at all times.

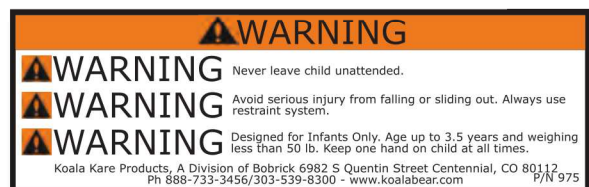
Parcels or accessory items, or both, placed on the unit may cause the unit to become unstable.

 **ATTENTION :** Ne laissez jamais un enfant sans surveillance.


 **ATTENTION :** Évitez les blessures occasionnées par une chute ou une glissade. Utilisez toujours le système de retenue.


 **ATTENTION :** Conçue uniquement pour les jeunes enfants. Jusqu'à 3 ans et demi et moins de 50 lb (23 kg). Conservez une main sur l'enfant à tout moment.

Tout paquet ou accessoire placé sur la table peut créer un déséquilibre.





 **ADVERTENCIA:** No deje nunca al niño desatendido.

 **ADVERTENCIA:** Evite que el niño se lesione por caerse o resbalarse del cambiador. Use siempre el sistema de sujeción.

 **ADVERTENCIA:** Diseñado exclusivamente para bebés. Hasta 3 años y medio de edad y con un peso inferior a 50 libras (22,5 kg aproximadamente). Mantenga siempre al niño sujeto con una mano. Colocar paquetes o accesorios, o ambas cosas, encima del cambiador puede provocar que se desestabilice.

 **WARNUNG:** Das Kind niemals unbeaufsichtigt lassen.

 **WARNUNG:** Ernsthafte Verletzungen durch Herausfallen oder Herausrutschen verhindern. Immer das Rückhaltesystem verwenden.

 **WARNUNG:** Dieses Produkt ist nur für Kleinkinder bis zu 3 1/2 Jahren und einem Gewicht von höchstens 50 lbs. (23 kg) vorgesehen. Das Kind immer mit einer Hand festhalten. Durch Ablegen von Päckchen und Zubehör auf der Wickeltisch kann diese instabil werden.